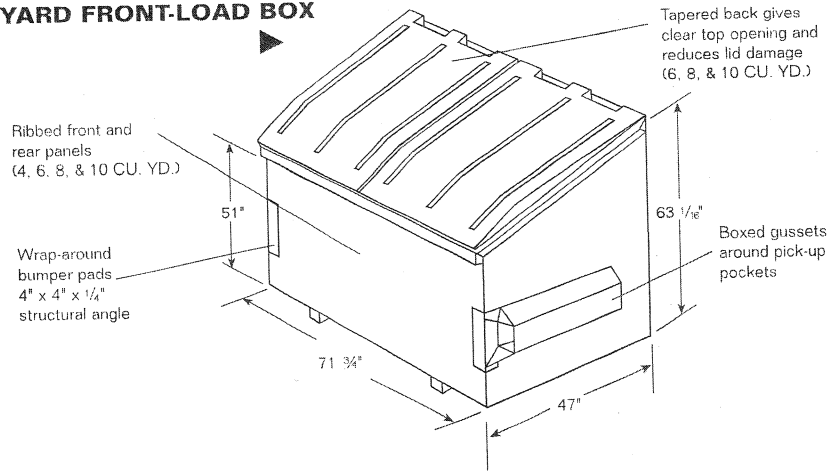
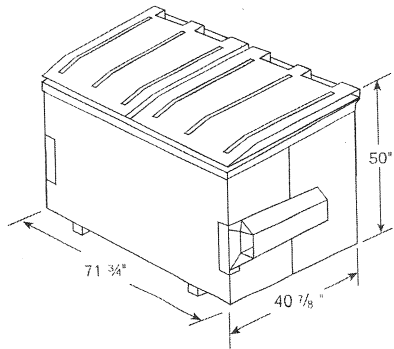


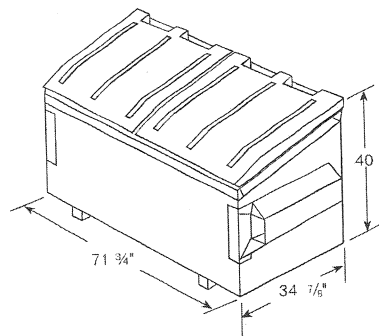
4 YARD FRONT-LOAD BOX



3 YARD FRONT-LOAD BOX



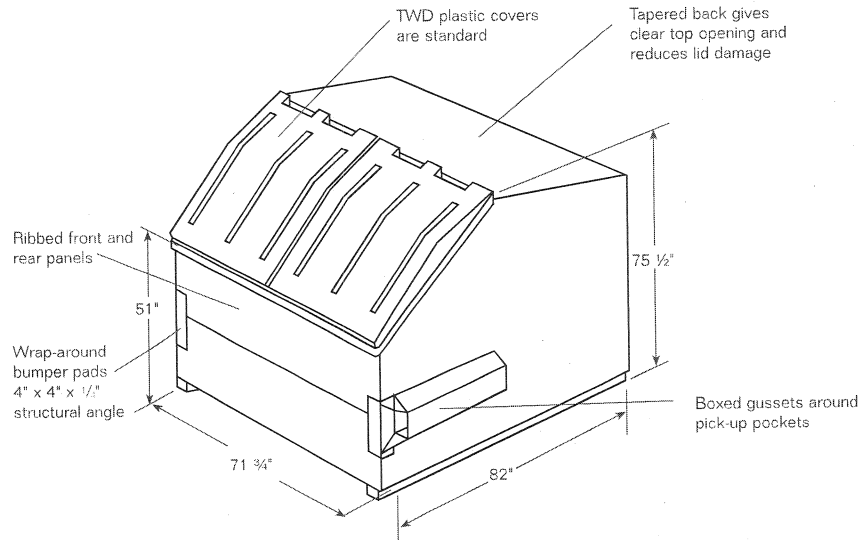
2 YARD FRONT-LOAD BOX



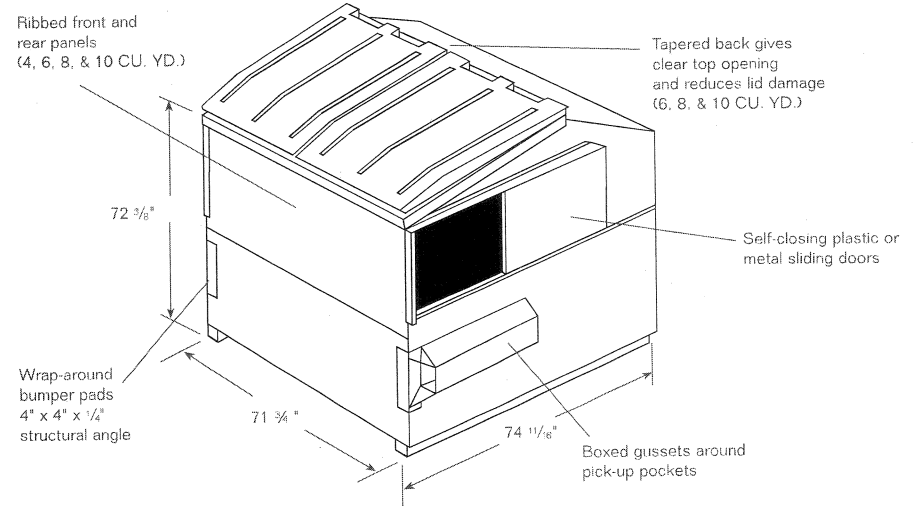
Front-load CONTAINERS

Versatile front load containers range from 2 to 10 cubic yards are often combined to give customers the right capacity to match their waste volumes

8 YARD FRONT-LOAD SLANT



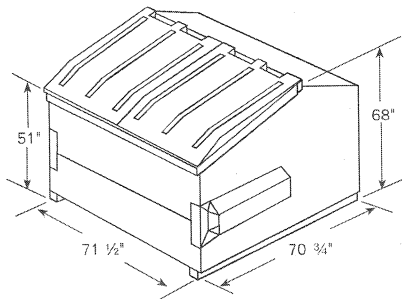
8 YARD FRONT-LOAD BOX



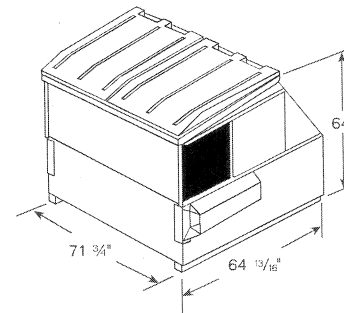
FRONT-LOADING CONTAINER DIMENSIONS

SIZE	HEIGHT	WIDTH	LENGTH
2 YD BOX	40 1/2"	71 3/4"	34 1/8"
2 YD SLANT	46"	71 3/4"	34 1/8"
3 YD BOX	50"	71 3/4"	40 1/8"
3 YD SLANT	55 5/16"	71 3/4"	40 1/8"
4 YD BOX	51"	71 3/4"	55 5/8"
4 YD SLANT	63 1/16"	71 3/4"	47"
6 YD BOX	64"	71 3/4"	64 13/16"
6 YD SLANT	68"	71 3/4"	70 3/4"
8 YD BOX	72 3/8"	71 3/4"	74 11/16"
8 YD SLANT	75 1/2"	71 3/4"	82"
10 YD BOX	84 3/8"	71 3/4"	88 7/8"
10 YD SLANT	90 5/16"	71 3/4"	88 7/8"

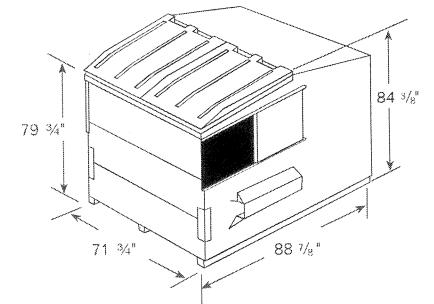
6 YARD FRONT-LOAD SLANT



6 YARD FRONT-LOAD BOX



10 YARD FRONT-LOAD BOX



Add 9" to width to include loading sleeves

Containers specifications may be subject to change from the various equipment manufacturers