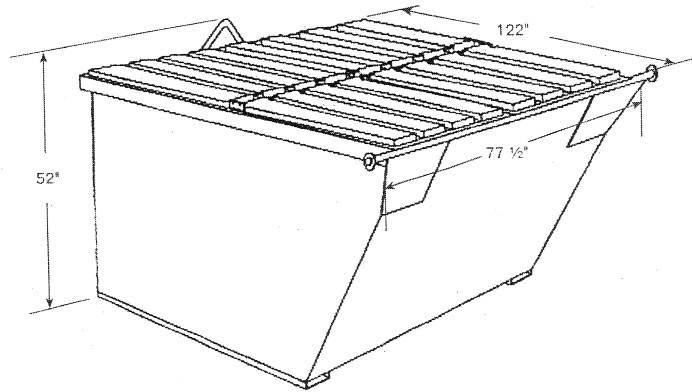


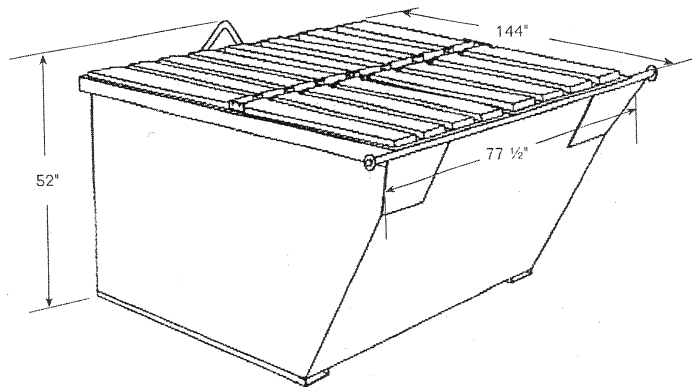
**6 YARD APARTMENT STYLE
REAR-LOAD ▼**



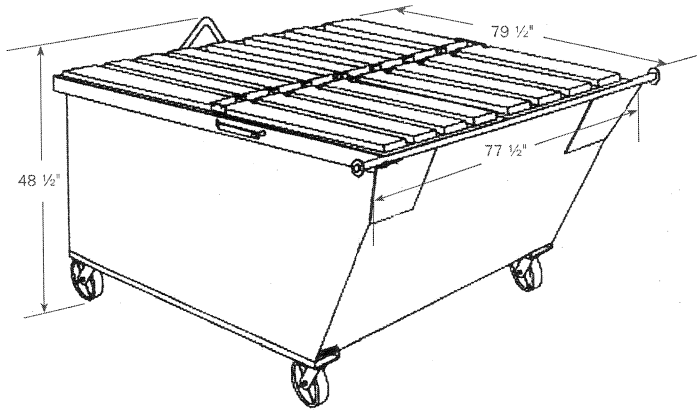
Rear-load CONTAINERS

In six sizes ranging from 2 to 10 yards rugged, all-steel construction makes rear-load containers weatherproof, fireproof, as well as leak, odor, and rodent-proof (when the top is closed)

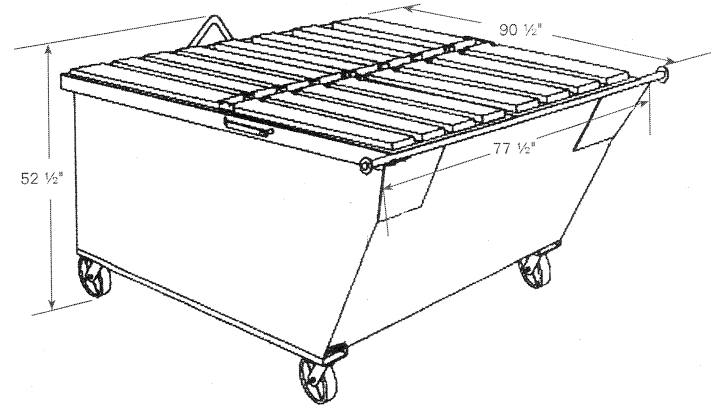
**8 YARD
REAR-LOAD ▼**



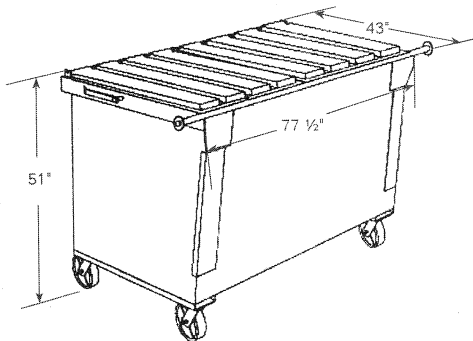
**3 YARD
REAR-LOAD ▶**



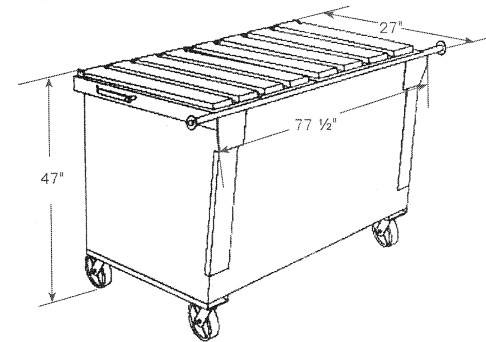
**◀ 4 YARD
REAR-LOAD**



**2 YARD
REAR-LOAD ▼**



**▼ 1 YARD
REAR-LOAD**



**REAR LOADING
CONTAINER DIMENSIONS**

MODEL	YARDS	HEIGHT	WIDTH	LENGTH
T-1	1	47"	77 1/2"	27"
T-1 1/2	1 1/2	47"	77 1/2"	37"
T-2	2	51"	77 1/2"	43"
T-2S	2	48 1/2"	77 1/2"	58 1/2"
T-3	3	48 1/2"	77 1/2"	79 1/2"
T-4S	4	52 1/2"	77 1/2"	90 1/2"
T-4	4	52"	77 1/2"	79 1/2"
T-6	6	52"	77 1/2"	122"
T-8	8	52"	77 1/2"	144"

Containers specifications may be subject to change from the various equipment manufacturers

All trunion bars are 80" long